

ಕರ್ನಾಟಕ ಶಾಲಾ ಪರೀಕ್ಷೆ ಮತ್ತು ಮೌಲ್ಯನಿರ್ಣಯ ಮಂಡಲ

ಕೆಎಸ್‌ಕೆಎವಿಸಿ, ಮಲ್ಲೇಶ್ವರಂ, ಬೆಂಗಳೂರು-560003.

KARNATAKA SCHOOL EXAMINATION AND ASSESSMENT BOARD

KSQAAC, Malleshwaram, Bengaluru-560003.

ಮೌಲ್ಯಾಂಕನ - ಮಾರ್ಚ್ 2024 ಮಾದರಿ ಪ್ರಶ್ನೋತ್ತರ ಪತ್ರಿಕೆ

Assessment - March 2024 Model Question Paper

Class : 8

Subject : Science

Marks : 50

Time : 2 Hours 30 Min

Information to be filled by the Student

Name of the Student : \_\_\_\_\_

Student SATS No :

Signature  
of the Student : \_\_\_\_\_

Information to be filled by the Room Invigilator

School DISE Code :

School Name : \_\_\_\_\_

Cluster : \_\_\_\_\_ Block : \_\_\_\_\_ District : \_\_\_\_\_

School Type : Govt.  Aided  Un-aided

(Put "✓" mark for applicable information)

Signature of the Room Invigilator : \_\_\_\_\_

Information to be filled by the Evaluator at the time of evaluation

| Question Number | Obtained marks | Question Number | Obtained marks | Question Number | Obtained marks |
|-----------------|----------------|-----------------|----------------|-----------------|----------------|
| 1               |                | 11              |                | 21              |                |
| 2               |                | 12              |                | 22              |                |
| 3               |                | 13              |                | 23              |                |
| 4               |                | 14              |                | 24              |                |
| 5               |                | 15              |                | 25              |                |
| 6               |                | 16              |                | 26              |                |
| 7               |                | 17              |                | 27              |                |
| 8               |                | 18              |                | 28              |                |
| 9               |                | 19              |                | 29              |                |
| 10              |                | 20              |                | 30              |                |
| -               |                | -               |                | 31              |                |
| Total marks     |                | Total marks     |                | Total marks     |                |
|                 |                |                 |                | Grand Total     |                |

Total marks obtained (in words) : \_\_\_\_\_

Signature of the Evaluator : \_\_\_\_\_

I. For alternative sir given for each of the following questions or incomplete statements choose the correct answer and write the correct answer along with the alphabet.

[16 x 1 = 16]

1. One of the practical application of artificial satellites is,

- A. Control of meteors
- B. Control of revolution of moon
- C. Whether forecasting
- D. Control of heat of the Sun which enter the earth

Answer:  \_\_\_\_\_

2. Football players use shoes with spikes. Because,

- A. friction decreases and speed decreases.
- B. friction becomes zero and helps to slide easily.
- C. friction increases and provide grip with the ground.
- D. nullifies the friction between legs and the ground.

Answer:  \_\_\_\_\_

3. A student is listening the sound of the following devices which have different frequency range.

| Devices | Vibration range         |
|---------|-------------------------|
| P       | 100 times in 10 seconds |
| Q       | 200 times in 5 seconds  |
| R       | 100 times in 20 seconds |
| S       | 5 times in 50 seconds   |

The device which produce the sound that is audible to the student

- A. R
- B. Q
- C. P
- D. S

Answer:  \_\_\_\_\_

4. Observe the four planets of solar system given here

P = Red planet of Solar system

Q = Largest planet of Solar system

R = Planet which has highly tilted rotational axis

S = Planet which has beautiful rings

The planet which can be kept out of the group and the reason is,

- A. P - because it is an example of inner planet
- B. R - because the density of it is less than that of water
- C. S - because it has only one satellite
- D. Q - because it has meteriorites.

Answer:  \_\_\_\_\_

5. A person could not identify colours clearly in dim light during evening. Because,

- A. image of the object is not obtained on retina.
- B. cone cells are not sensitive at that time.
- C. only rod cells are sensitive to bright light.
- D. eye lens is not converging the light rays properly.

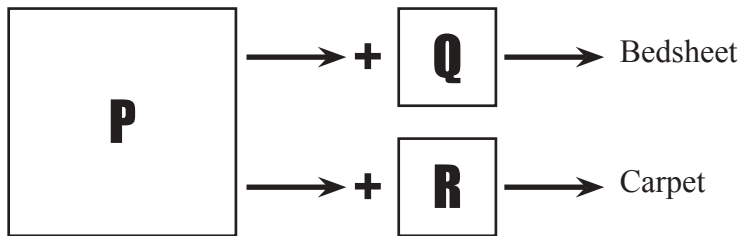
Answer:  \_\_\_\_\_

6. A student is conducting experiments by using the following substances in his school laboratory. The pair of chemicals in which 'pop' sound is produced by reacting each other is,

- A. Hydrochloric acid and Copper
- B. Zinc sulphate and Iron
- C. Sodium hydroxide and Aluminium
- D. Sodium carbonate and magnesium

Answer:  \_\_\_\_\_

7. Observe the flow chart related to synthetic fibres given here,



P, Q and R respectively are,

- A. Acrylic, silk and wool
- B. Polyester, wool and cotton
- C. Nylon, cotton and silk
- D. Rayon, cotton and wool

Answer:  \_\_\_\_\_

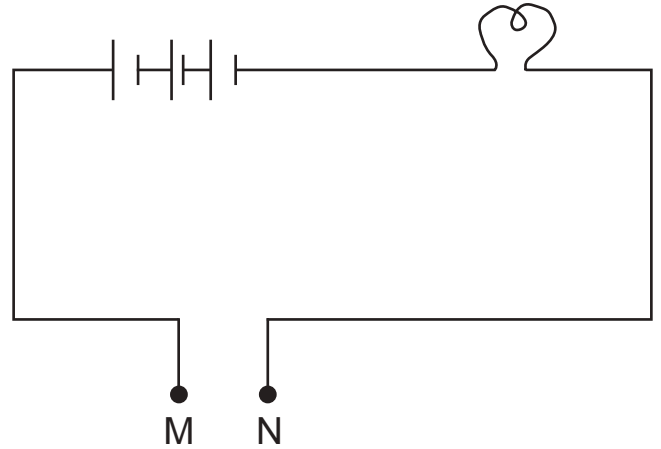
8. Petroleum product used to road surfacing among the following is

- A. Bitumen
- B. Petrol
- C. Diesel
- D. Keresene

Answer:  \_\_\_\_\_

9. Two electrodes 'M N' of given tester here are tested by dipping in 4 solutions P, Q, R and S.

Bulb is not glowing in solution 'R'.  
Then the solution is formed of these substances.



- A. tap water and salt
- B. distilled water and lemon juice
- C. distilled water and sugar
- D. tap water and vinegar

Answer:  \_\_\_\_\_

10. Changes from larva to adult is called like this

- A. Embedding
- B. Binary fission
- C. Budding
- D. Metamorphosis

Answer:  \_\_\_\_\_

11. Species of plants and animals found exclusively in a particular area

- A. Endangered species
- B. Endemic species
- C. Protected species
- D. Tribal species

Answer:  \_\_\_\_\_

12. Use of manures should be encouraged among the farmers. Because due to this,
- A. micro organisms in the soil decreases.
  - B. more oxygen will not enter into the soil.
  - C. rich plant nutrients are not available to the soil.
  - D. water holding capacity of the soil increases.

Answer:  \_\_\_\_\_

13. The speciality of Biosphere reserve is,
- A. mono culture plants are present.
  - B. local people can only graze their cattles.
  - C. maintain the bio diversity and culture of that area.
  - D. plants can be cut for furnitures.

Answer:  \_\_\_\_\_

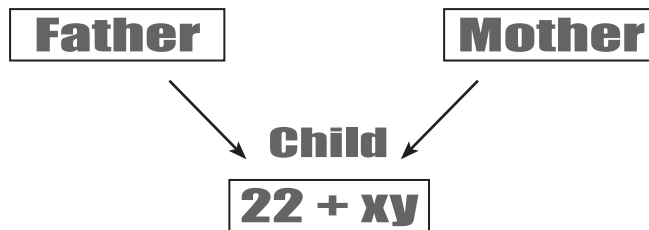
14. Now the use of CFC's in refrigerators is prohibited. Because it,
- A. damages the ozone layer of the atmosphere.
  - B. causes asthma, cough and wheezing in children.
  - C. corrodes the marble of old monuments.
  - D. decreases the average temperature of earth's atmosphere.

Answer:  \_\_\_\_\_

15. An agricultural scientist suggests to install sprinkler system of irrigation to a farmer after observing his coffee estate in a hilly region. Because,
- A. availability of water is poor and water drops fall near the roots.
  - B. land is un even and availability of water is less.
  - C. land is even and water evaporates quickly.
  - D. availability of water is enough and roots are not strong.

Answer:  \_\_\_\_\_

16. Observe the folw chart given here related to sex determination in man



Then the chromosomes from father-mother and sex of the child respectively are,

- A. y, x and male
- B. x, y and female
- C. y, x and female
- D. x, y and male

Answer:  \_\_\_\_\_

**II. Answer the following questions in a sentence each**

**[4 x 1 = 4]**

17. What is the difference between noise and music?

---



---



---

18. Draw the diagram showing the structure of paramecium.

---



---



---

19. What are oviparous and viviparous animals?

---

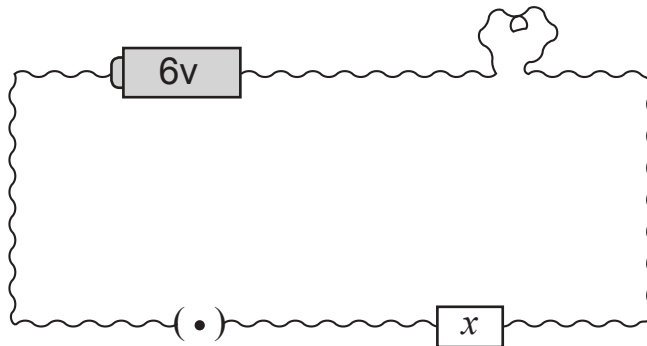


---



---

20. In the simple circuit given below the part 'x' is tested by connecting pencil lead, sulphur and copper wire respectively. In which situation bulb glows?




---



---



---

**III. Answer the following questions.**

**[6 x 2 = 12]**

21. "Sliding friction is smaller than the static friction". Explain.

OR

How lubricants reduce friction? Explain with an example.



---

---

---

---

---

22. What is fault zone? Which is the scale to express the power of an earth quake?

---

---

---

---

---

23. State the laws of reflection of light.

OR

Define the following related to light

- (i) Lateral inversion
- (ii) Regular reflection

---

---

---

---

---

---

24. Product obtained in between the chemical reaction of Iron, Oxygen and water is tested with blue and red litmus papers. What change is observed in litmus paper? If the colour of the litmus paper changes, then which is the character of the product responsible for it?

OR

Iron nails are dropped to beaker 'A' and silver pieces to beaker 'B' having Copper sulphate solutions of equal quantity and concentration. Write the equations of chemical reactions formed in both the beakers.

---

---

---

---

---

---

---

---

25. A student plans to prepare petroleum by using dead organisms in his school laboratory. Will his plan be successful? Support your answer scientifically.

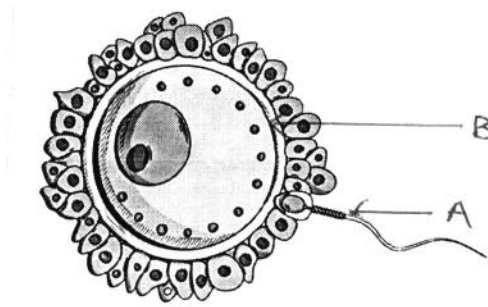
---

---

---

---

26. Observe the diagram related to the human reproduction given here. Answer the given questions.



- (i) Name 'A' and 'B'
- (ii) Name the process going on here
- (iii) Which is the structure formed after this process.

---



---



---



---



---



---

**IV. Answer the following questions**

**[3 x 3 = 9]**

27. What is electroplating? What are the advantages of coating chromium on other metals?

OR

Tin cans are suitable than Iron cans for storing food items. Why?

---



---



---



---

---

---

---

---

---

---

---

---

28. Draw the diagram showing different zones of candle flame and label following parts.

- (i) hottest part
- (ii) least hot part

---

---

---

---

---

---

---

---

---

---

---

---

29. Draw the diagram showing the structure of animal cell and label the following parts.

- (i) Nucleus
- (ii) Vacuole

---

---

---

---

---

---

---

---

---

---

---

---

---

**V. Answer the following question**

**[4 x 1 = 4]**

- 30. a) Which are the general preventive measures of malaria?
- b) Pasteurized milk can be consumed without boiling why?

OR

- a) Which are the general preventive measures of tuberculosis?
- b) Use of vinegar prevents the spoilage of pickle. Why?

---

---

---

---

---

---

---

---

---

---

---

---

---

---

---

---

---

---

---

---

---

---

---

---



---

---

---

---

---

---

---

---

---

---

---

---

